

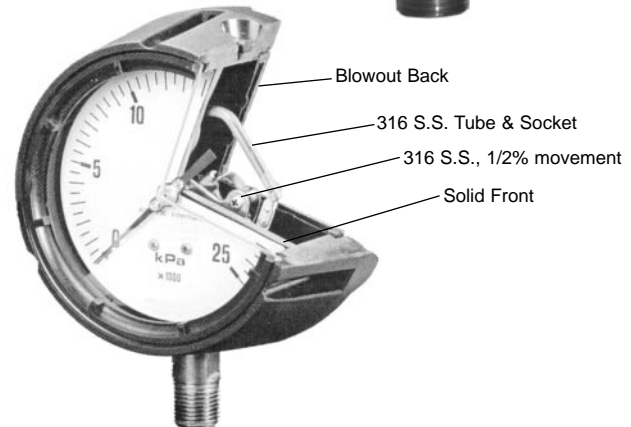
- Solid Front / Blowout Back
- All Stainless Steel Internal Parts
- Adjustable Pointer
- Glycerine Filled or Dry/Fillable
- Repairable

### Specifications

- Case:** "Phenolic" (Fiberglass Reinforced Thermoplastic)  
Solid Front, Blowout Back
- Ring:** Fiberglass Reinforced Thermoplastic  
Screwed Ring, Removable
- Lens:** Tempered Glass
- Dial:** Aluminum, Black Figures on White Background
- Pointer:** Adjustable, Aluminum, Black
- Wetted Parts:** 316 St. Steel with Restrictor screw
- Temperature:** Ambient: 0 to 150°F (Glycerine Filled)  
Process: -30 to 400°F (Dry)
- Accuracy:** 0.5% Full Scale

### Applications

Reotemp Series PT Process Gauge is designed to withstand corrosive atmospheres and media, pulsation and vibration; a very rugged gauge engineered for the process industries. The solid front/blowout back provides a high degree of user safety.



## HOW TO ORDER

PT — **45** — **P** — **1** — **A** — **4** — **P23** — **G**

<b>Dial:</b> 45 = 4.5"	<b>Case:</b> P = Fiberglass Reinforced Thermoplastic	<b>Tube &amp; Socket:</b> 1 = 316 St. Steel 3 = Monel	<b>Mounting:</b> A = Bottom, Direct with Wall Mount	<b>Connection:</b> 4 = 1/4" NPT 2 = 1/2" NPT	<b>Range Code:</b> See Page 12 for Range Codes <b>Available Ranges:</b> Vacuum, compound, and 15 psi to 20,000 psi	<b>Filling:</b> D = Dry (Fillable) G = Glycerine  Other fills on request.
<b>Options:</b>					<ul style="list-style-type: none"> <li>• Plastic Lens</li> <li>• Laminated Safety Glass</li> <li>• Custom / Logo Dials</li> <li>• Flush Mounting Ring</li> <li>• Removed Restrictor Screw</li> <li>• Electric Contacts</li> <li>• Chemical Seals</li> <li>• Peak Indicator</li> </ul>	